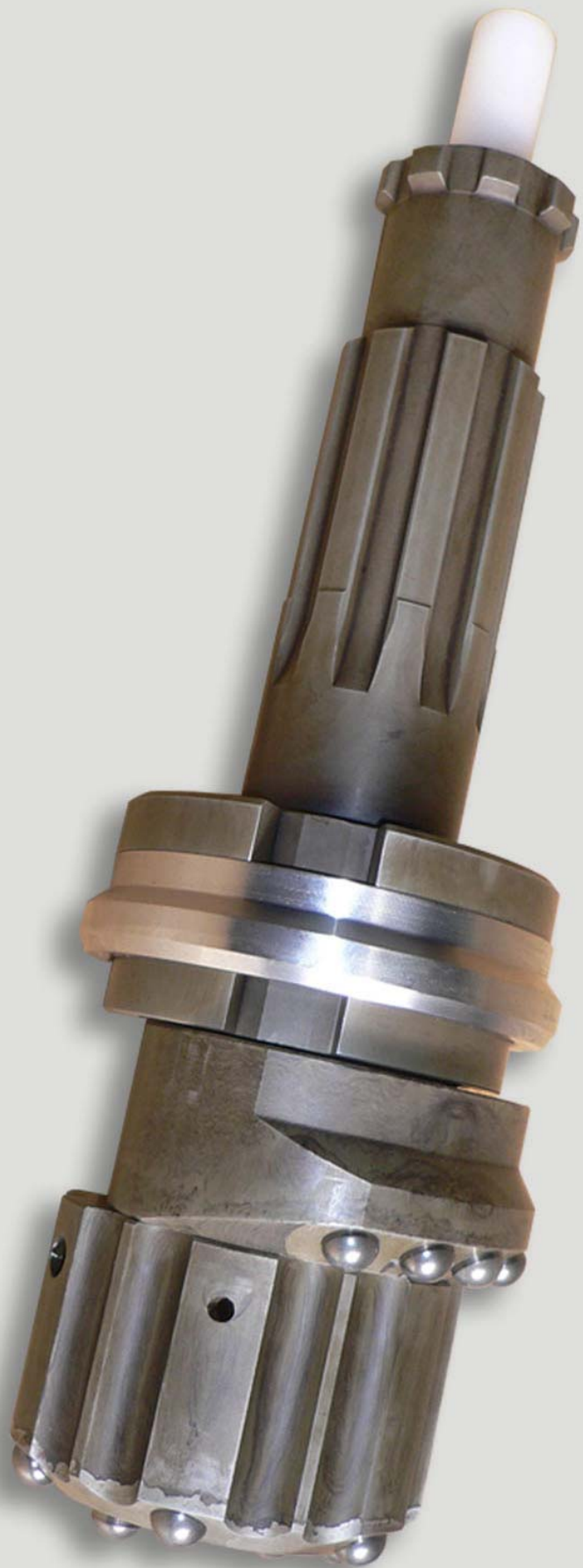


*The Alternative*



*Standard X*

ALLROC 

# Speed~~X~~

## 115 MANUAL

### System parts

- Guide
- Reaming bit
- Pilot bit
- Locking pin 2 pcs
- O-ring 2 pcs



### Disassembly

1. Use suitable O-ring hook to remove the O-rings from both holes in the pilot bit.



2. Push out the locking pins by inserting a suitable tool through the smaller holes in the pilot bit.



3. Remove pilot and reaming bits.



3. Mount the O-rings in their seats outside the locking pins. Use some lubricant and suitable tool to avoid damaging the O-ring during mounting. Never mount a used O-ring!

## Assembly

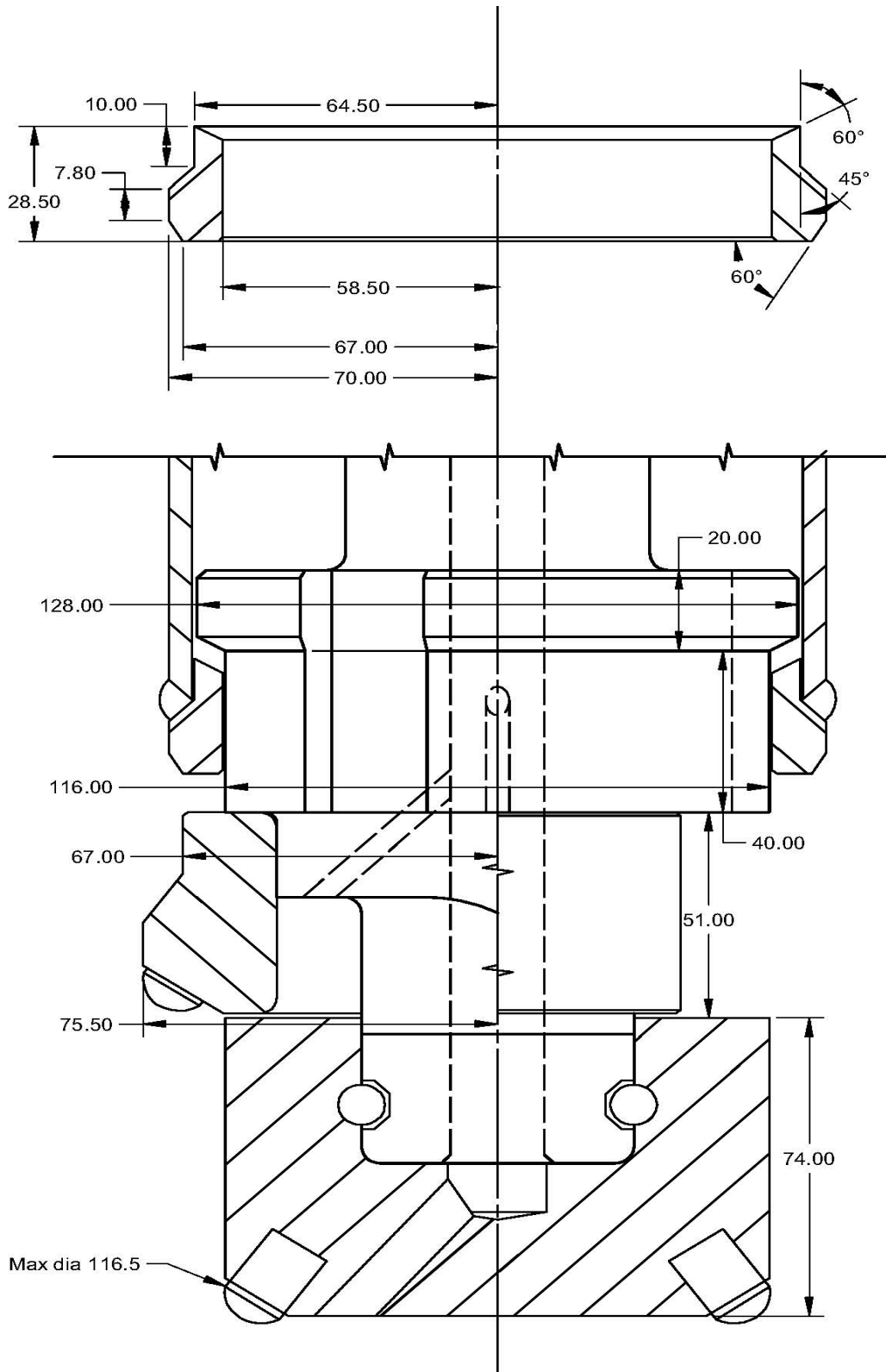
1. Install reaming and pilot bits with the "wear pad" of the pilot bit on the reverse side of the reaming bit's outer position.



4. Make sure the O-ring is perfectly seated.

2. Push locking pins in place.





ALLROC AB 

Box 205  
682 31 Filipstad

Phone +46 590 10178  
Fax +46 590 607084

E-mail [info@allroc.se](mailto:info@allroc.se)  
Web [www.allroc.se](http://www.allroc.se)

**SpeedX** is protected under  
Swedish patent No. 0400929-6.

Patent pending in other countries.